

**Amphenol**

**Amphenol Limited**



## Amphenol Ltd Whitstable



- 150,000 Sq Ft:
  - Machining
  - Moulding
  - Plating
  - Connector Assembly
  - Cable Assembly
  - Integrated Systems Assembly
  - Design Engineering (+ Nottingham)
  - Test Facility
  - Prototyping
  - Customer Service (+ Nottingham)

## Intervehicle Jumpers

High Voltage (H.V)

Low Voltage (L.V)

3 Phase

Fibre Optic



## Intervehicle Jumpers

Composite Jacketed Cables



Cables in Conduit  
(Plastic and Metal Braided)



Cables in Jumper Hose



## Intervehicle Jumpers

### LOW VOLTAGE (L.V.)

- Up to 61 Ways
- 0.5mm<sup>2</sup> to 35mm<sup>2</sup> Cables
- 50/110 Volts D.C.
- Crimp Replaceable Contacts
- Mil-C-5015 Contacts – Other contacts available – Coax, Twinax & Quadrax.



18-way

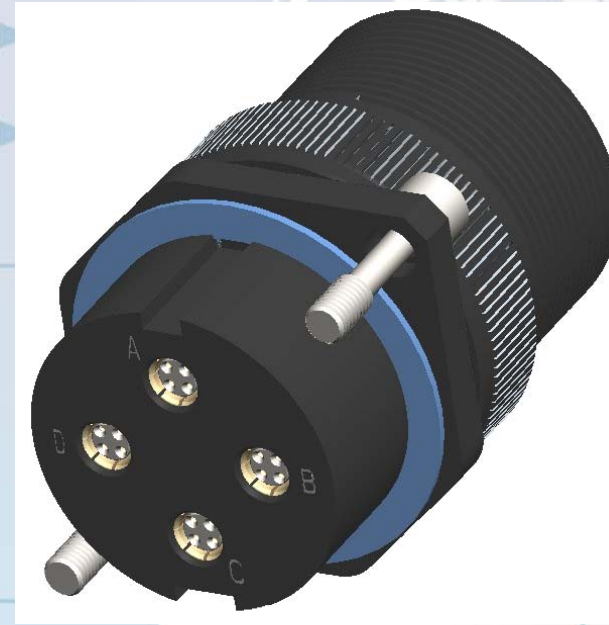


61-way



Comms

## Intervehicle Jumpers



### Quadrax connectors & contacts – Ethernet / PIS

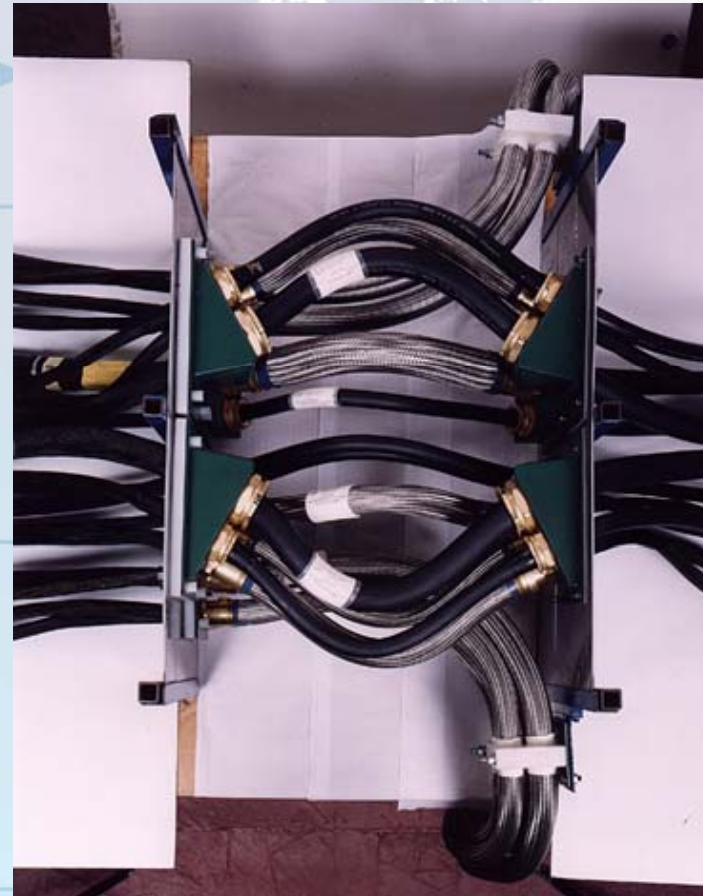
- 4 & 6 way types
- Bolted or bayonet types
- Crimp type contacts



# Intervehicle Jumpers

## Mil 5015 Jumpers

Amphenol



## Intervehicle Jumpers

### 3 PHASE

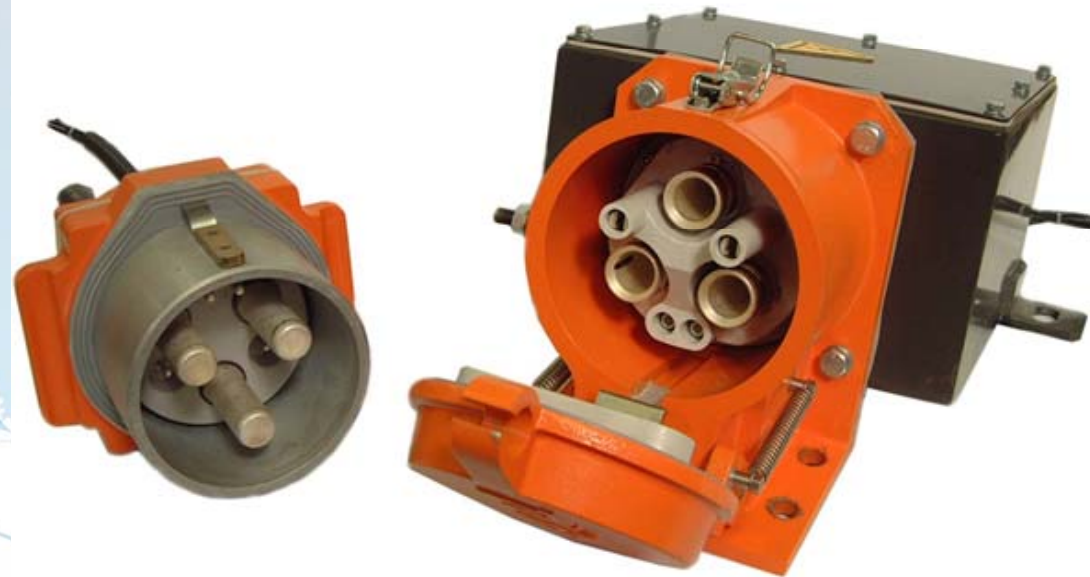
- 4 Ways
- 70mm<sup>2</sup> Cable
- 415 Volts A.C.
- Crimp Contacts
- Low mating force high current type contacts



## Intervehicle Jumpers

### 3 PHASE

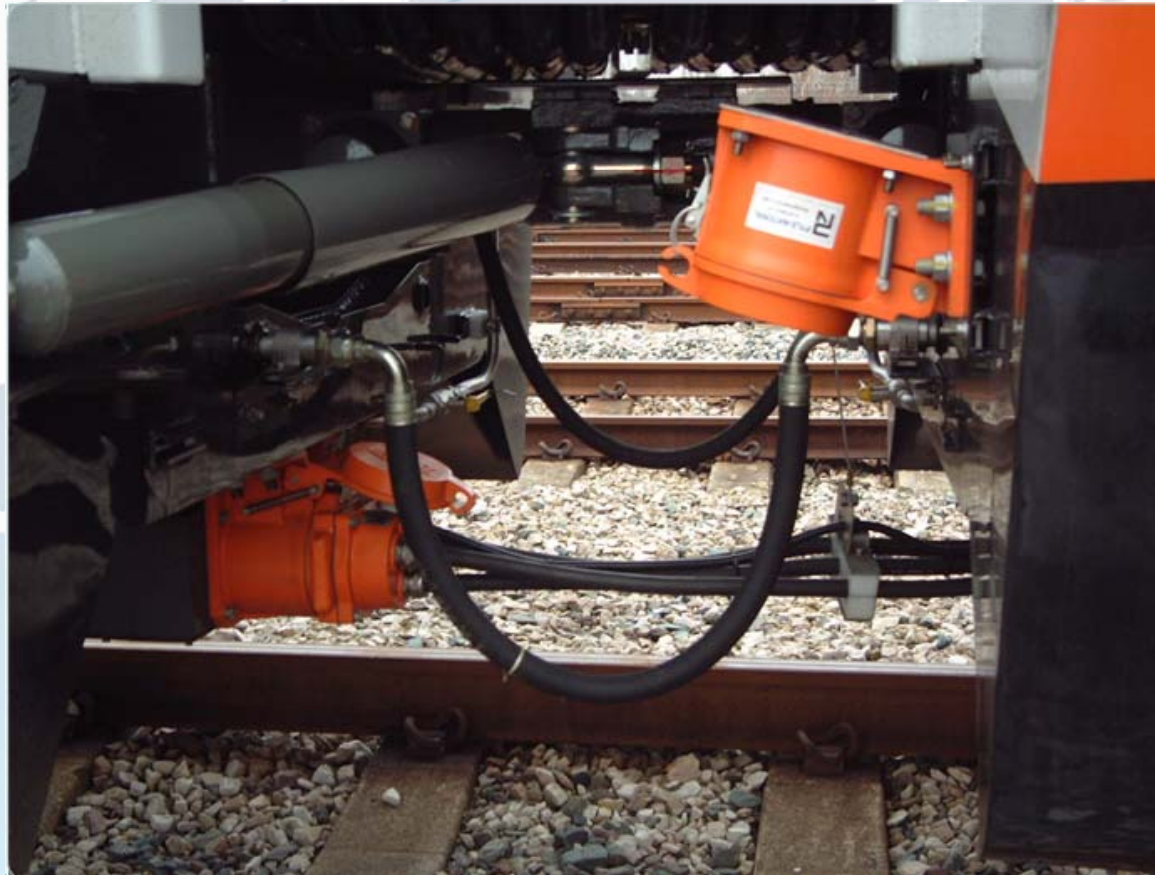
- 3 Ways + control & electrical interlock
- 185mm<sup>2</sup> Cable
- 415 Volts A.C.
- Crimp Contacts
- Low mating force high current type contacts.
- Shore supply socket also available



# Intervehicle Jumpers

Amphenol

## 3 Phase Jumper Equipment



## **Intervehicle Jumpers**

**HIGH VOLTAGE - H.V**

**5 and 9 Ways**

**150mm<sup>2</sup>/240mm<sup>2</sup> Cables - Jumper**

**240mm<sup>2</sup>/400mm<sup>2</sup> Cables - Receptacle**

**750 Volts A.C.**

**Low Mating Force Contacts**

**Crimp Contacts**



# Intervehicle Jumpers

Amphenol

**FIBRE OPTIC**

**Hermaphroditic Mating**

**Lens Design**

**Easy Clean**

**Easy Maintenance**



## Intervehicle Jumpers

HV and 3 Phase Jumpers



LV / Fibre Optic Jumpers



## Intervehicle Jumpers

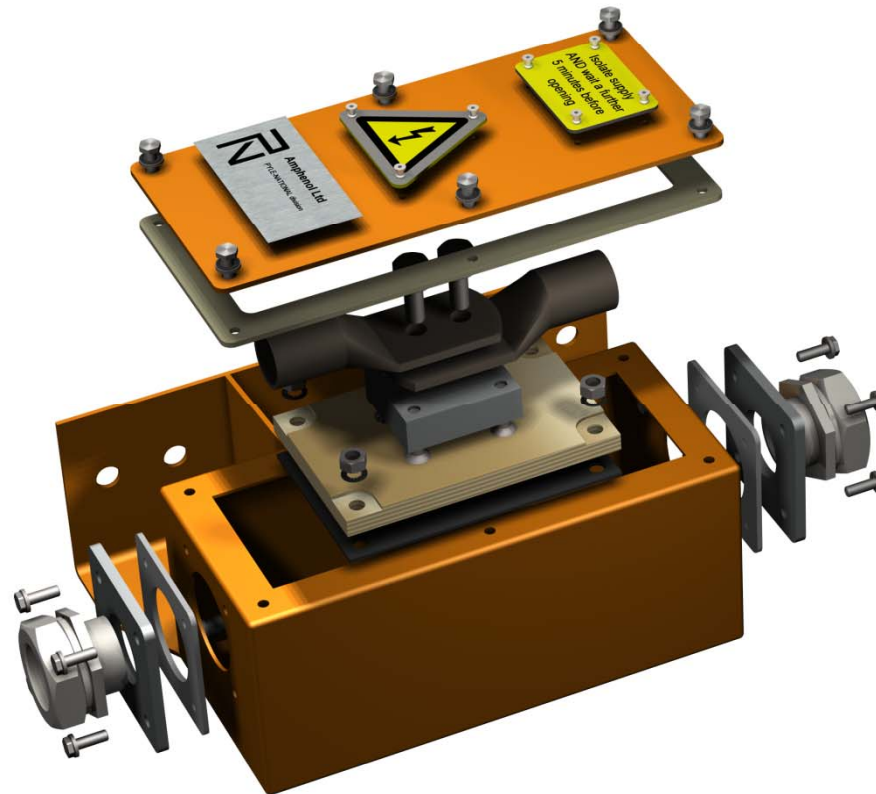
**Conduit Swivels – To allow for vehicle movements**



## Intervehicle Jumpers

### BOXES / FABRICATIONS

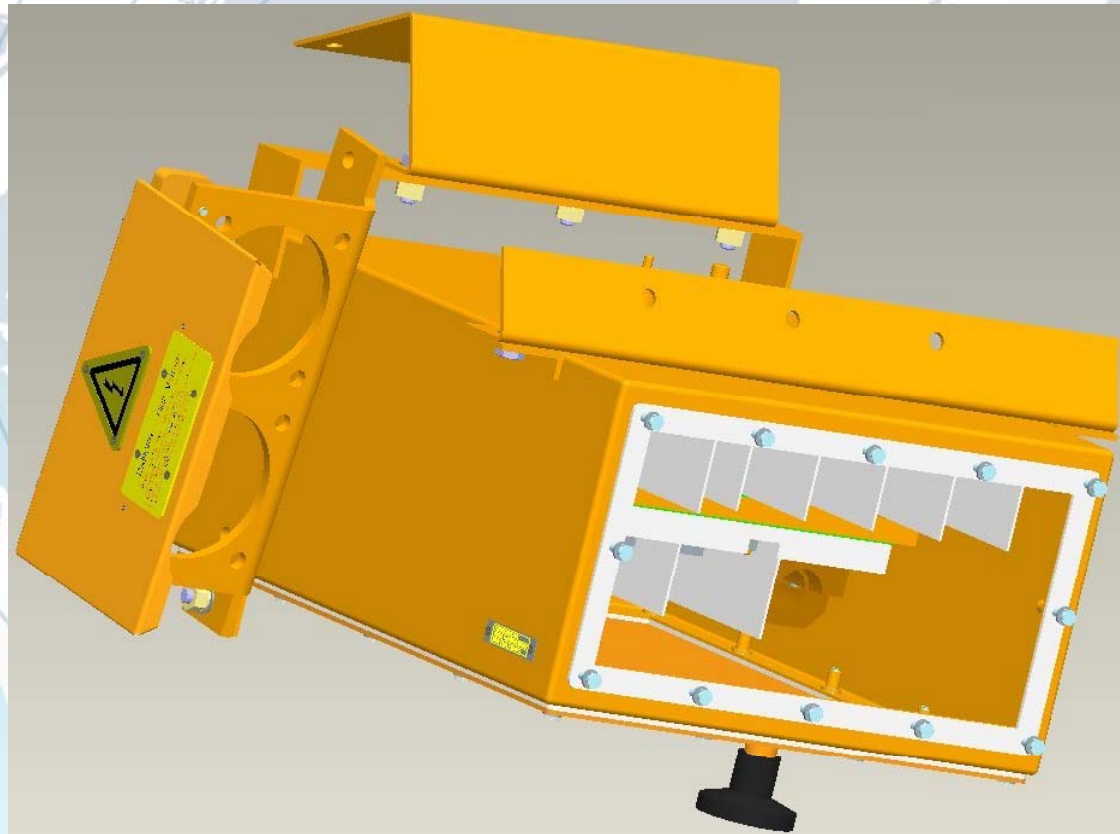
- Termination Boxes / Cover / Mounting Brackets



## Intervehicle Jumpers

### BOXES / FABRICATIONS

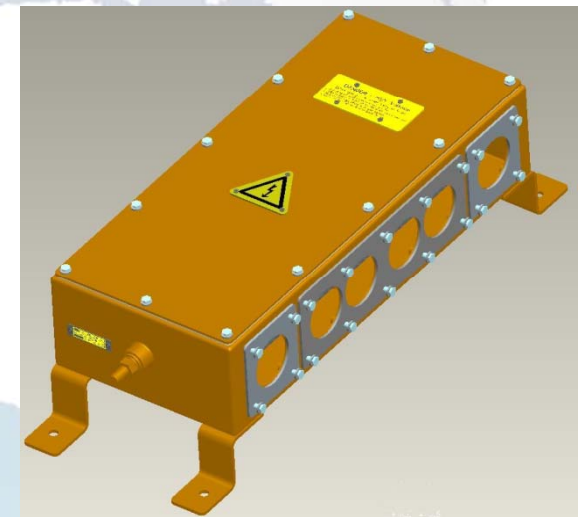
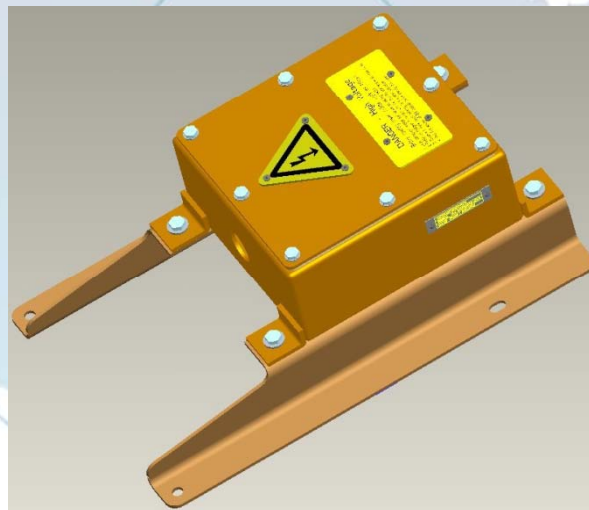
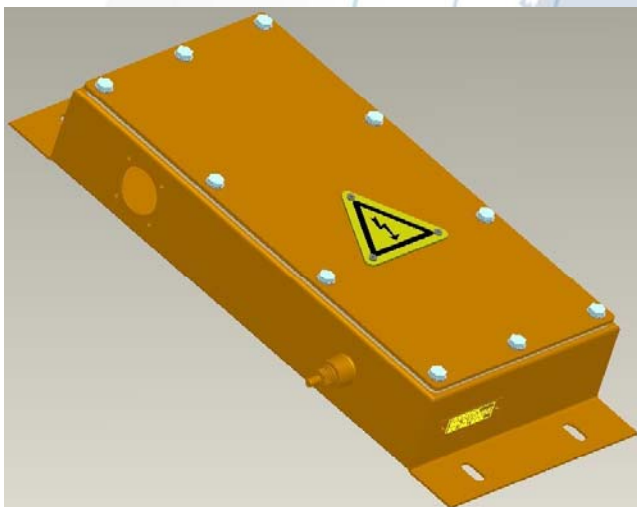
- Termination Boxes / Cover / Mounting Brackets



## Intervehicle Jumpers

### BOXES / FABRICATIONS

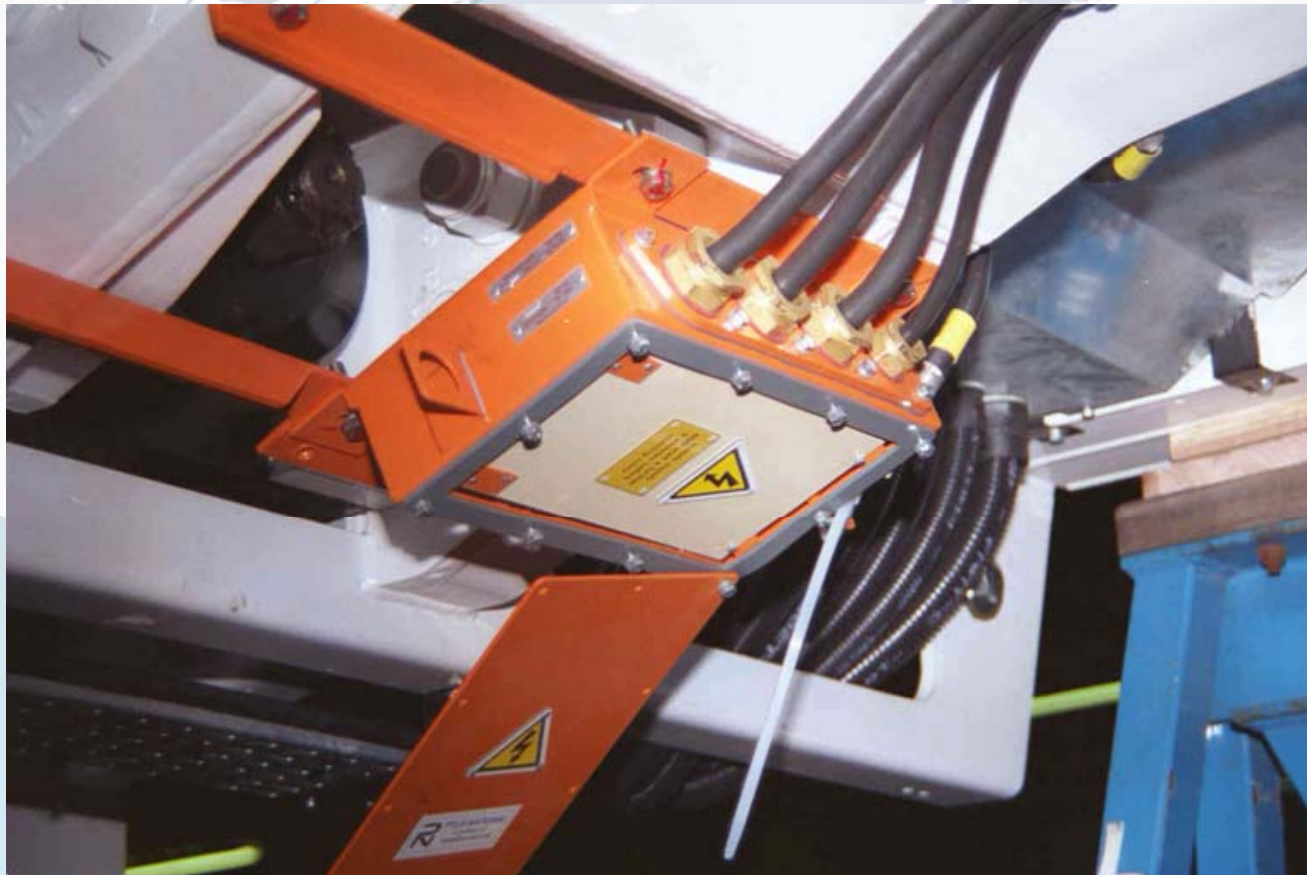
- Termination Boxes / Cover / Mounting Brackets



# Intervehicle Jumpers

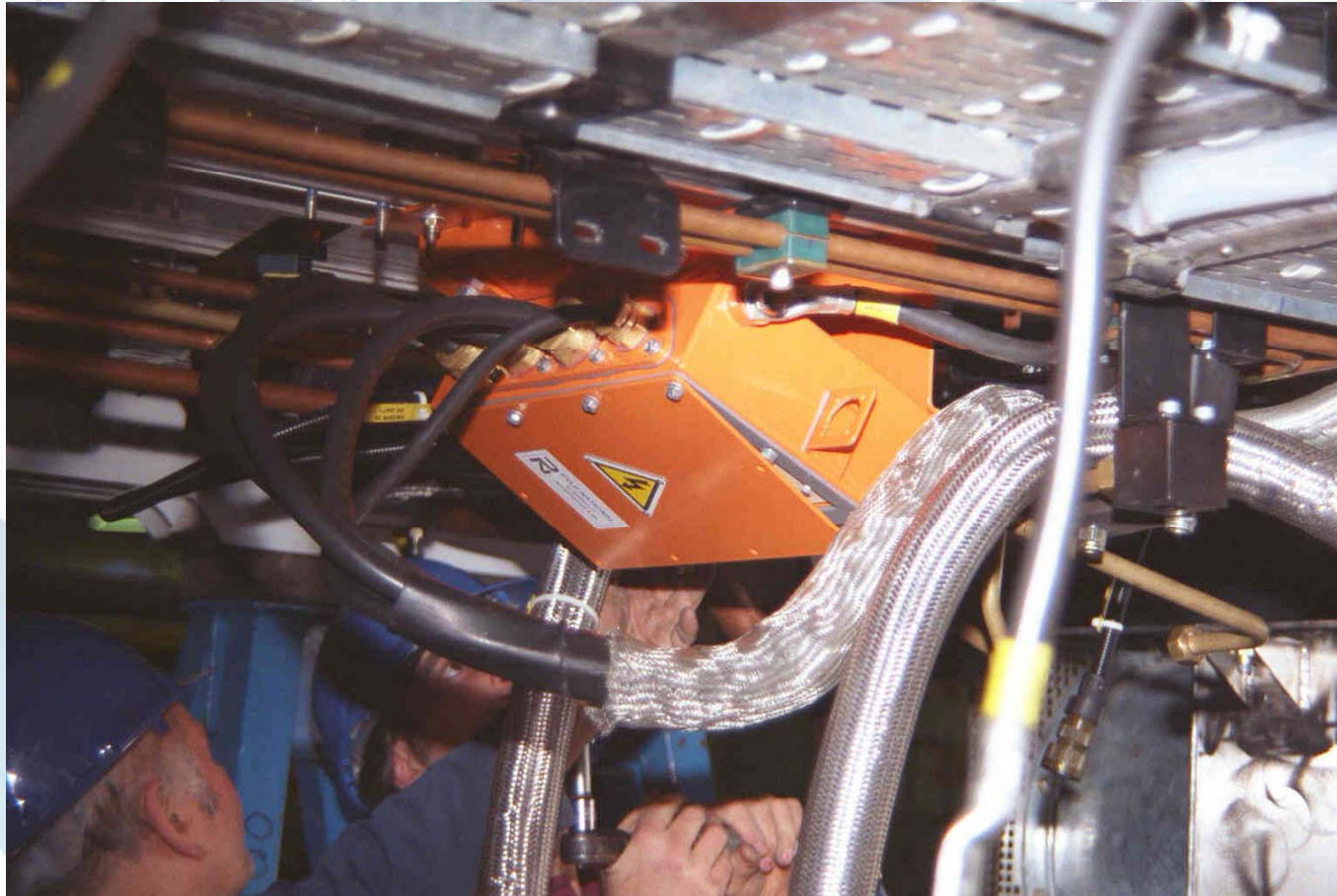
Busline boxes.

Amphenol



# Intervehicle Jumpers

Busline boxes.



## Intervehicle Jumpers

### BOXES / FABRICATIONS

- Termination Boxes
- Cover / Mounting Brackets



## Intervehicle Jumpers

Amphenol

### ETS (Shore Supply Connector)

- 1500 Volts D.C.
- IP 66 BS EN 60529
- 185 / 240mm<sup>2</sup> Cable
- With or without Electrical Interlock
- Clog Free Spring Cover
- Low Mating Force Contact

